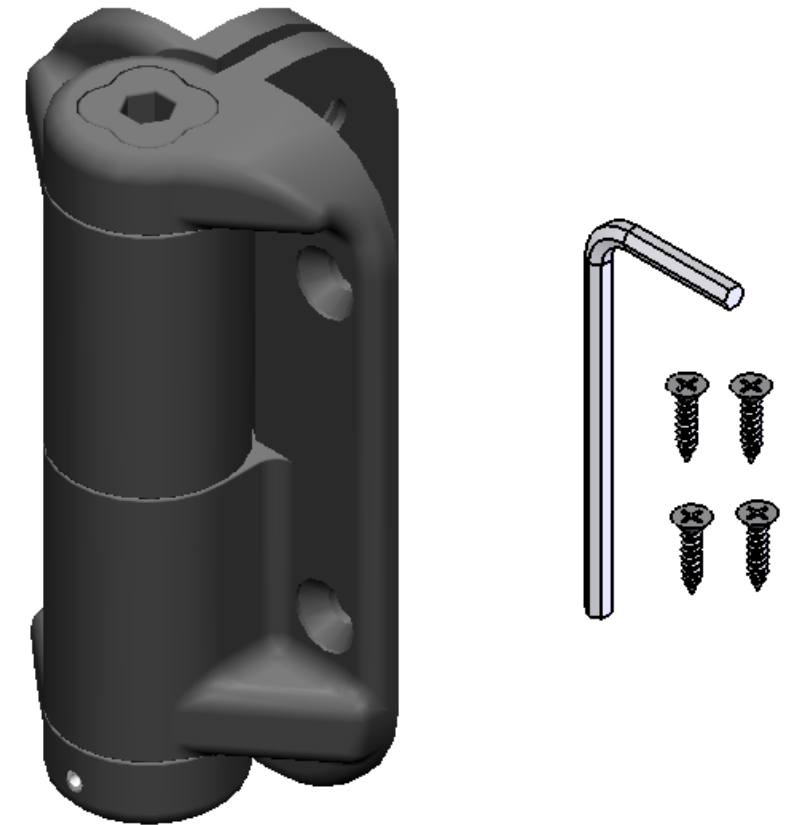
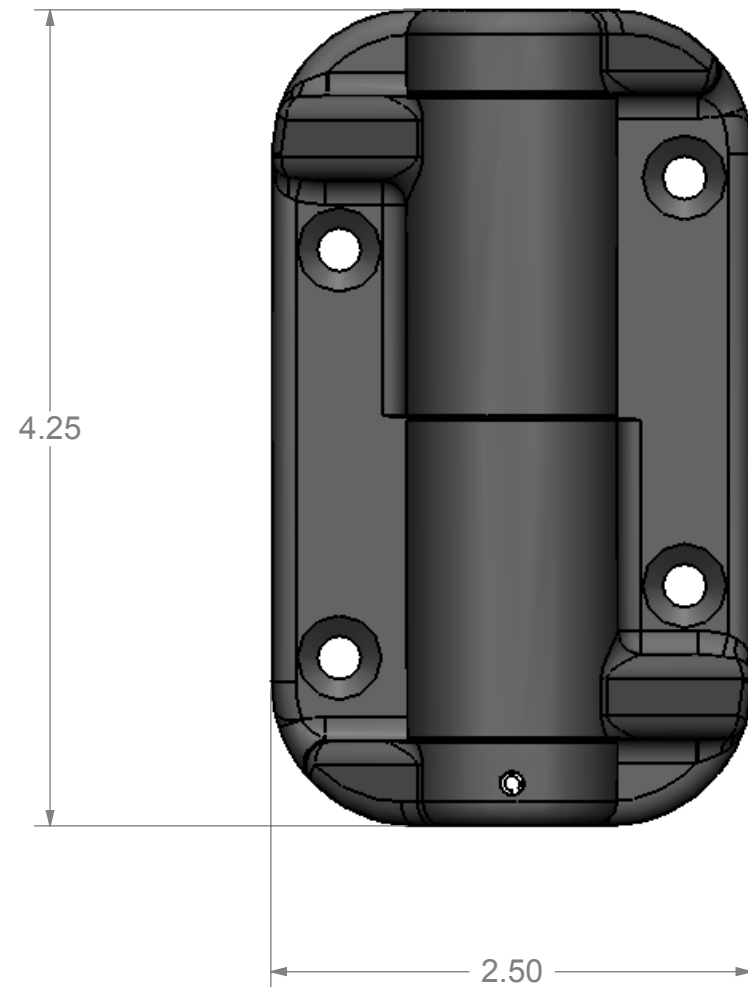
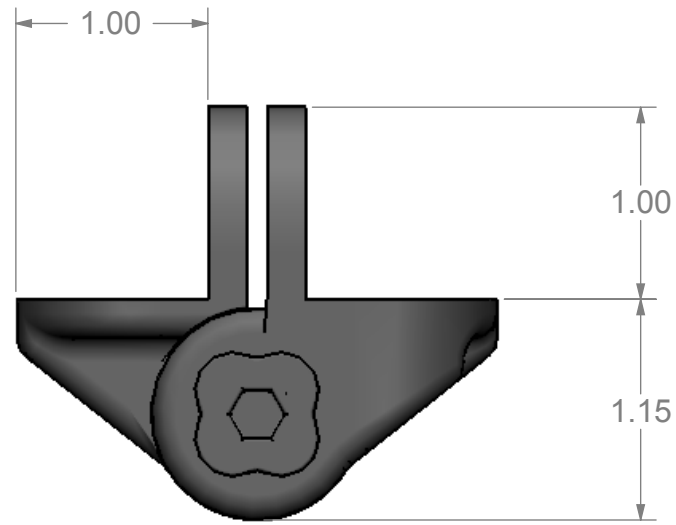


REVISIONS				
ECR/DCR	REV.	DESCRIPTION	DATE	APPROVED



- PACKAGE INCLUDES:***
- (2) Hinges**
 - (1) Spring Tension Adjustment Wrench**
 - (16) Mounting Screws**
 - (1) Mounting Instructions**

DRAFT COPY

PROPRIETARY AND CONFIDENTIAL

THE INFORMATION CONTAINED IN THIS DRAWING IS THE SOLE PROPERTY OF NATIONWIDE INDUSTRIES. ANY REPRODUCTION IN PART OR AS A WHOLE WITHOUT THE WRITTEN PERMISSION OF NATIONWIDE INDUSTRIES IS PROHIBITED.
DO NOT SCALE DRAWING



**CORNERSTONE™
SELF-CLOSING HINGE**

SIZE B	DWG. NO. CS--CH100N	REV. -
SCALE:1:1	WEIGHT:	SHEET 1 OF 1

CH100N-WH	WHITE
CH100N-BK	BLACK
PART NUMBER	COLOR