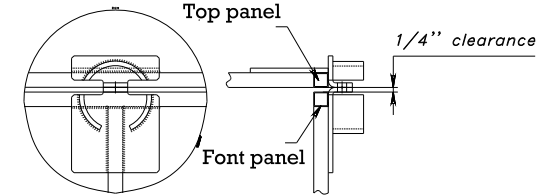
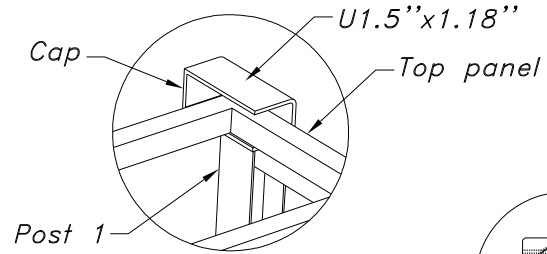
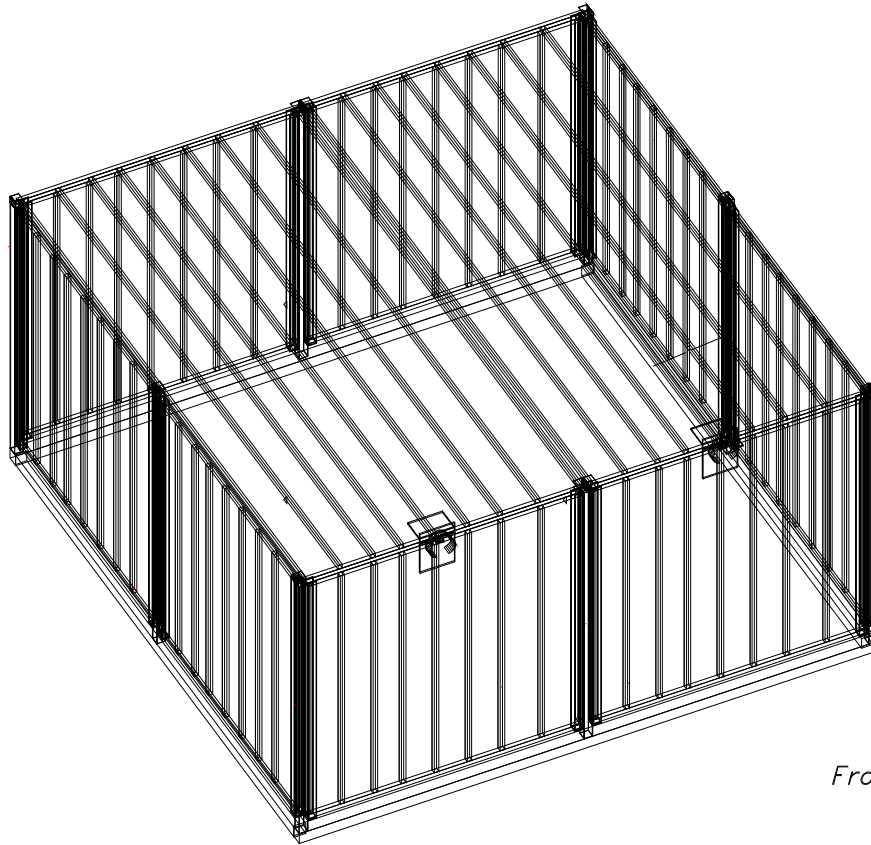
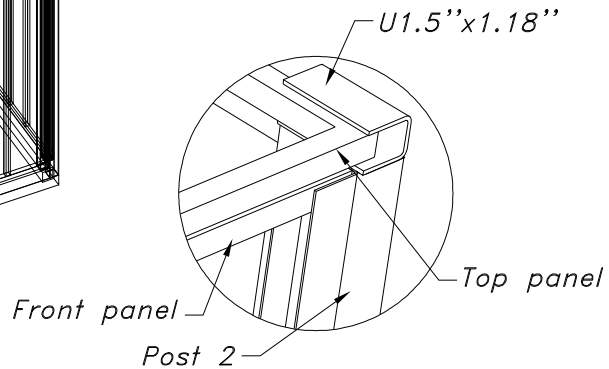


AIR CONDITIONING CAGE



PATENT PENDING
VARIOUS SIZES AVAILABLE
 Top panel secures all other panels and lockes with Master Lock (6270) .



NOTES
INSTALLATION METHOD
 1. A/C CAGE FRAME WELDED TO A/C UNIT BASE

A Legacy you can be proud of.

Deuteronomy 6:7-8



TREXCAGES.COM

by



11828 Classic Lane - Forney, Texas 75126
 (972)564-3388 - fax (972) 564-3001
 www.iam-metals.com

Product **COMMERICAL A/C CAGE**

Drawing Number

Revision

Date

Part Number

