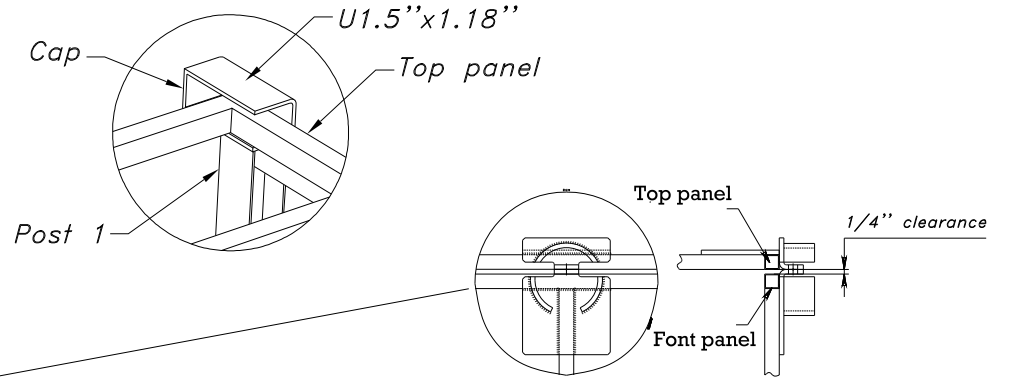
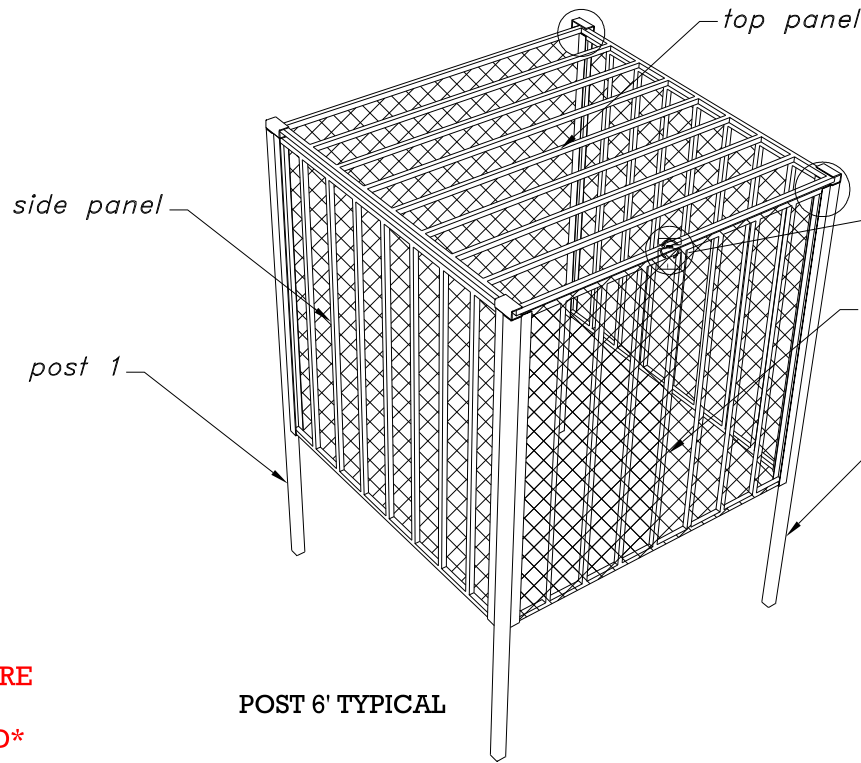
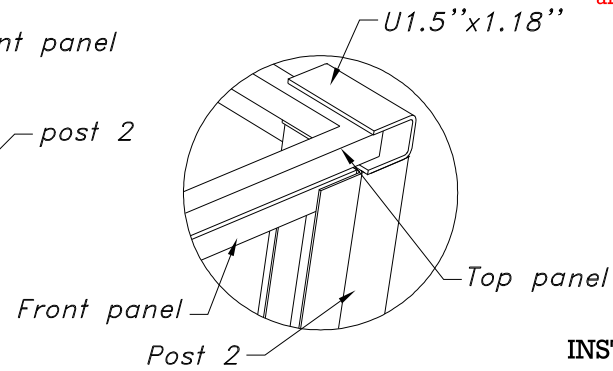


4 x 4 AIR CONDITIONING CAGE

***PATENT
PENDING***



**Top panel secures all other panels
and lockes with Master Lock (6270) .**



***ALL CAGES ARE
THREE SIDED
UNLESS NOTED***

POST 6' TYPICAL

NOTES

INSTALLATION METHOD

- OPTION 1. POST SET IN CONCRETE FOOTER.
- OPTION 2. CORE CONCRETE AND SET POST W/ NON SHRINK GROUT.

		<i>A Legacy you can be proud of.</i> <i>Deuteronomy 6:7-8</i>
Product 4 x 4 A/C CAGE W/ EXPANDED		
Drawing Number	Revision	
Date		
Part Number		



TREXCAGES.COM

by

I NTERNATIONAL
A RCHITECTURAL
M E T A L S

11828 Classic Lane - Forney, Texas 75126
(972)564-3388 - fax (972) 564-3001
www.iam-metals.com

