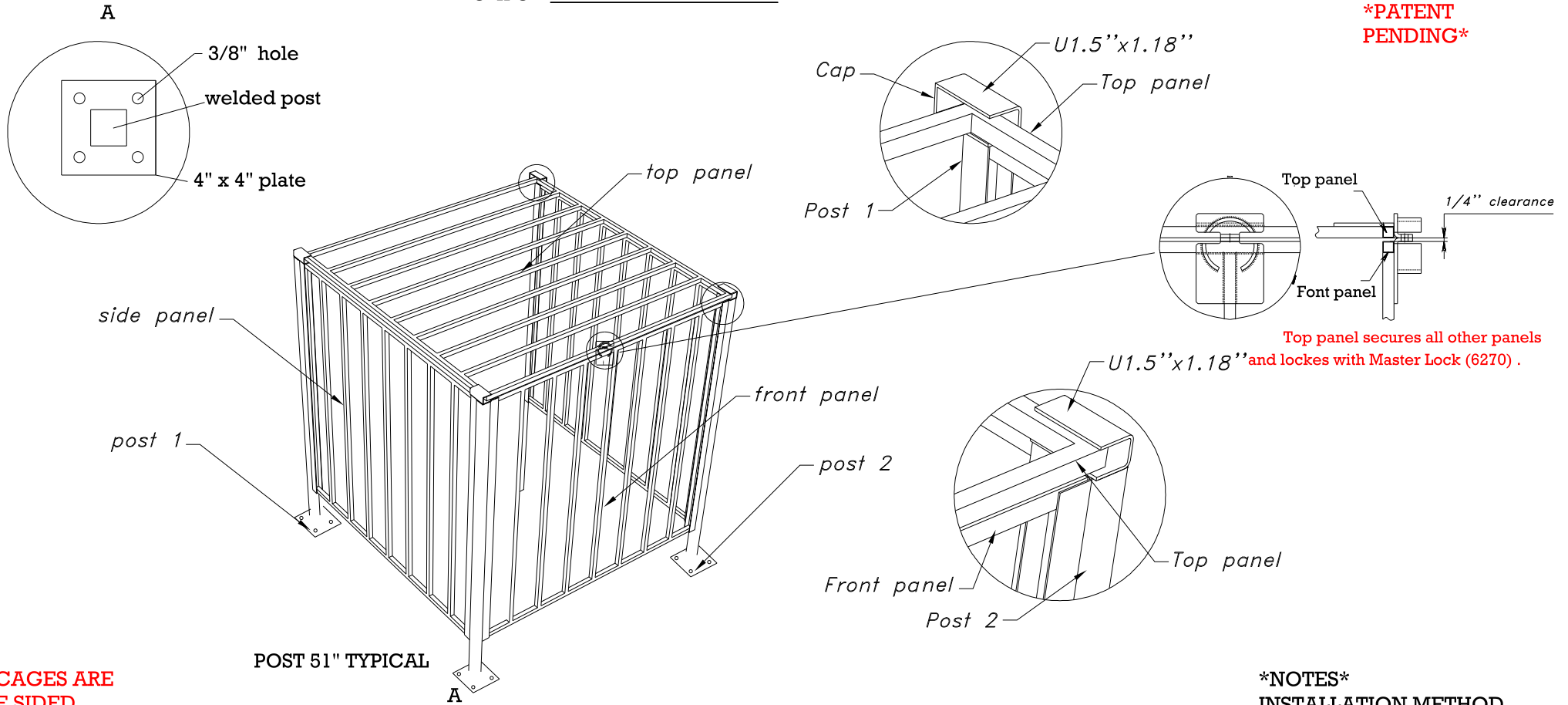


3' x 3' AIR CONDITIONING CAGE

**\*PATENT PENDING\***



**\*ALL CAGES ARE THREE SIDED UNLESS NOTED\***

POST 51" TYPICAL

**Top panel secures all other panels and locks with Master Lock (6270).**

**\*NOTES\***  
**INSTALLATION METHOD**  
**1. CONCRETE ANCHORS.**

		<i>A Legacy you can be proud of.</i>  <i>Deuteronomy 6:7-8</i>
Product 3' x 3' A/C CAGE FLANGED POST		
Drawing Number		Revision
Date		
Part Number		



by



**I** NTERNATIONAL  
**A** RCHITECTURAL  
**M** E T A L S

11828 Classic Lane - Forney, Texas 75126  
 (972) 564-3388 - fax (972) 564-3001  
 www.iam-metals.com

