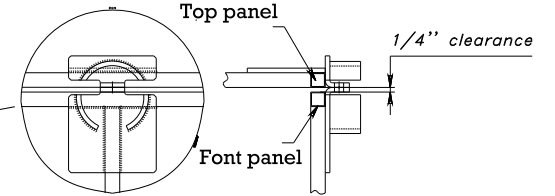
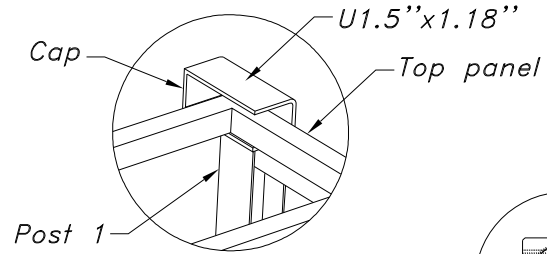
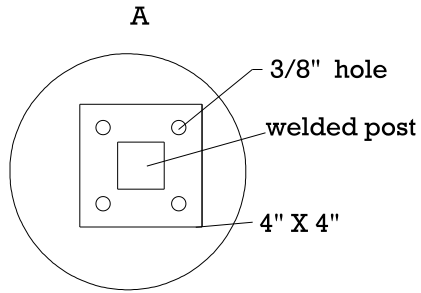
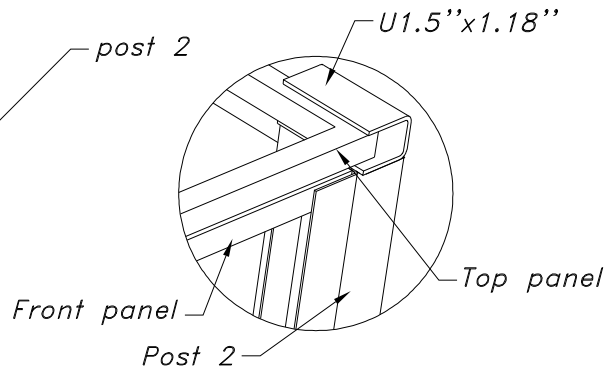
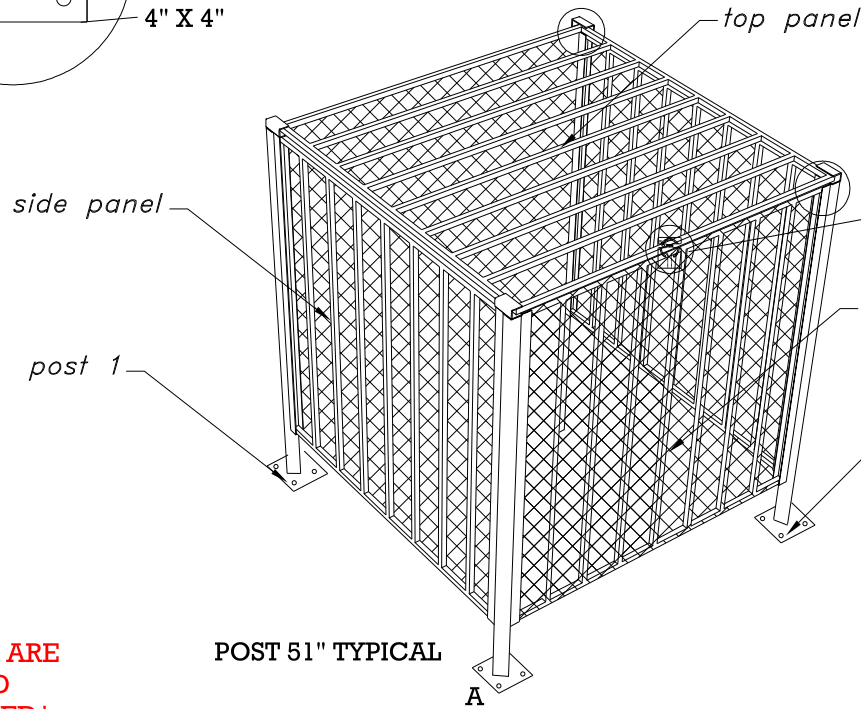


4' x 4' AIR CONDITIONING CAGE

PATENT PENDING



Top panel secures all other panels and lockes with Master Lock (6270) .



ALL CAGES ARE THREE SIDED UNLESS NOTED

POST 51" TYPICAL

NOTES
INSTALLATION METHOD
1. CONCRETE ANCHORS.

A Legacy you can be proud of.

Deuteronomy 6:7-8



TREXCAGES.COM

by

I NTERNATIONAL
A RCHITECTURAL
M E T A L S

11828 Classic Lane - Forney, Texas 75126
 (972)564-3388 - fax (972) 564-3001
 www.iam-metals.com

Product 4 x 4 A/C CAGE WITH FLANGED POST

Drawing Number

Revision

Date

Part Number

